

OPERATOR'S MANUAL

Pluto Cap Press GS-301



CONTENTS

Important Safety instructions.....	01
Technical Parameters.....	02
Operation Process.....	03
Terms Of Guarantee.....	04
Circuit Diagram.....	05
Explosion View.....	06

Important Safety Instructions

Important Safety Instructions

WHEN USING YOUR APPLIANCE, BASIC PRE-CAUTIONS SHOULD ALWAYS BE FOLLOWED, INCLUDING THE FOLLOWING:

Read all instructions.

Use appliance only for its intended use.

To reduce the risk of electric shock, do not immerse the appliance in water or other liquids.

Never pull cord to disconnect from outlet, instead grasp plug and pull to disconnect.

Do not allow cord to touch hot surfaces, let appliance cool completely before putting away.

Do not operate appliance with a damaged cord, or if the appliance has been dropped or damaged. To reduce the risk of electric shock, do not disassemble or attempt to repair the appliance, take it to a qualified service person for examination and repair. Incorrect reassembly or repair could cause a risk of fire, electric shock, or injury to persons when the appliance is used.

Close supervision is necessary for any appliance being used by or near children.

Do not leave appliance unattended while connected.

Burns could occur from touching hot metal parts.

To reduce the likelihood of circuit overload, do not operate another high voltage appliance on the same circuit.

If an extension cord is absolutely necessary, a 20 ampere rated cord should be used. Cords rated for less amperage may overheat, care should be taken to arrange the cord so that the cord cannot be pulled or tripped over.

SAVE THESE INSTRUCTIONS.

Technical Parameters








Technical Parameters

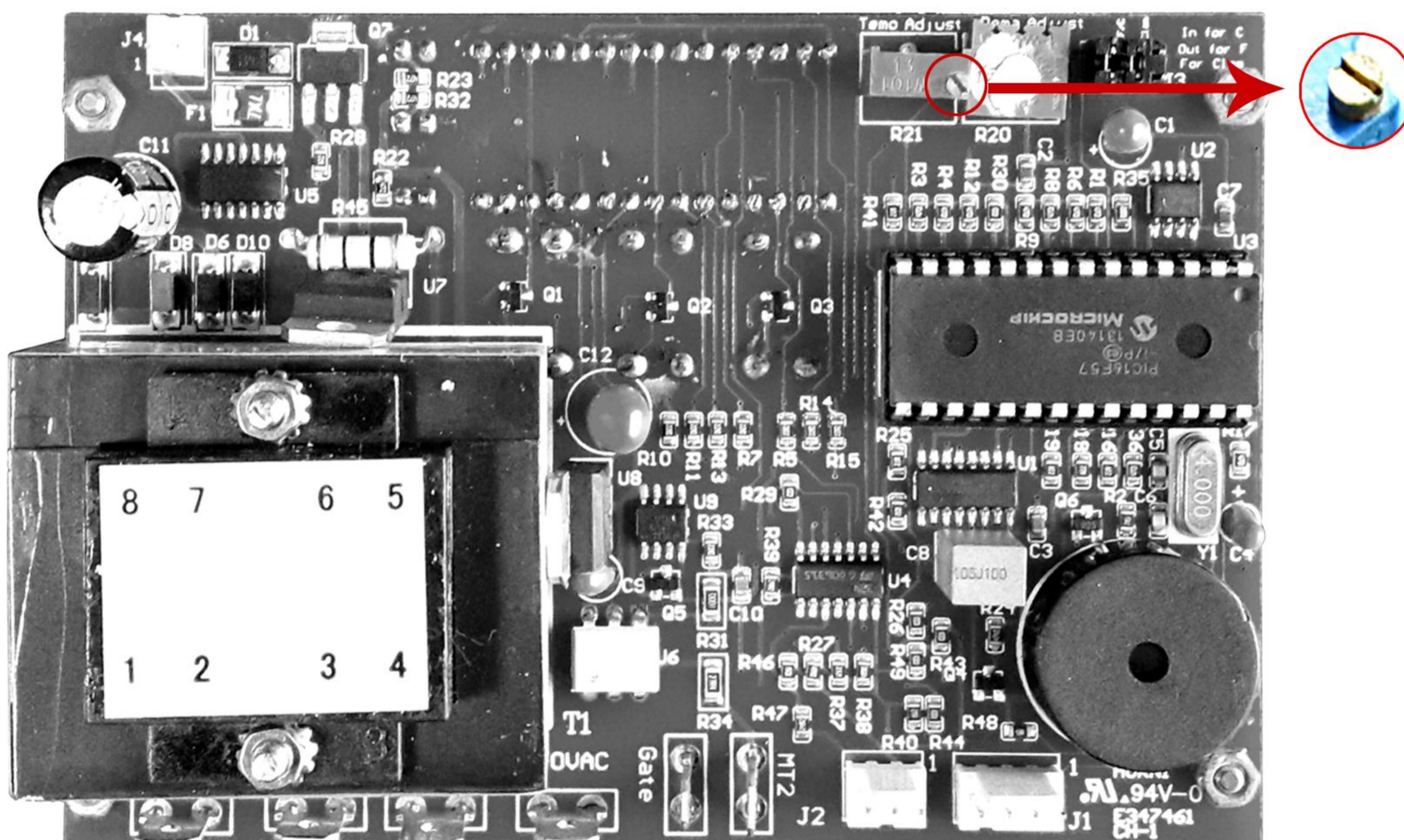
1. Model No.: Pluto Cap Press GS-301
2. Machine Dimension: 470*230*390mm
3. Heat Platen Size: 3.5''*6.5''
4. Lower Platen Size: 3.5''*6.5'' (with machine)
2.75''*6.5''(choosable)
4''*6.5''(choosable)
3''*5.75''(choosable)
4''*8''(choosable)
5. Voltage: 220V/1Phase; 110V/1Phase
6. Power: 500W
7. Time Range: 0~999s
8. Maximum Temp: 280 C°
9. Packing Size: 58*31*46cm
10. Gross Weight: 18kg

Operation Process

1. Temperature/Time Setting

		
<p>Turn on power switch, control board shows as picture.</p>	<p>Press  button first time, Press arrows “△” or “▽” to set temperature.</p>	<p>Press  button second time, Press arrows “△” or “▽” to set time.</p>

2. Temperature Compensation Setting



There is a hot port as picture shows at the back of control board, customer could use a straight screwdriver to adjust the temperature. For example, if the real temperature of heater is higher than control board shows, customer could clockwise the hot port to adjust, if the real temperature of heater is lower than control board shows, customer could anti-clockwise the hot port to adjust.

Remark:

To service customer better, for Pluto Cap Press GS-301, we offer 5 different lower platens for customer choice. With these five different lower platens, customer could print all kinds of caps with different sizes easily. Pls contact us for more information if there is a need.

Terms of Guarantee

Warranty

Lopo will Automatically register the equipment on the date it was shipped to you, please fill the following information and keep this manual in a safe place if you are buying the machine for your own use or please remind your customers to do this if you are our distributor.

Date Purchased:

From:

Model No#:

Serial#:

Model No. and the Serial No. could be found at the outside of the packing. Please provide this information to us when there is any problem of the machine , thanks

Note:

This Warranty applies to equipment manufactured by LOPO.

Duration

The Warranty period of one year are started from the date of receipt by the buyer of the heat press machine ,which can be verified by the invoice and the copy of the above information. The warranty does not cover any damager casued by normal were or tear

Repair

If any parts are found to be defective, despite proper use, authorized use and not as a result of fair wear and tear, within the warranty period, then they will be replaced without any question within 3 working days after our confirmation. Lopo have the rights to ask customers to offer as much details of the problem in order to find out the solution , customer need to help us to offer the details on time. All the cost including the shipping cost would be borne by Lopo at the first 3 months , after 3month, the shipping cost need to be borne by the customer, but the free parts will be offered during the entire Guarantee period. Customer need to pay for the parts after one year Guarantee , but Lopo will offer the whole life technical support.

This Warranty does not cover silicon pads, Teflon sheet, or any consumables for the heat press machine

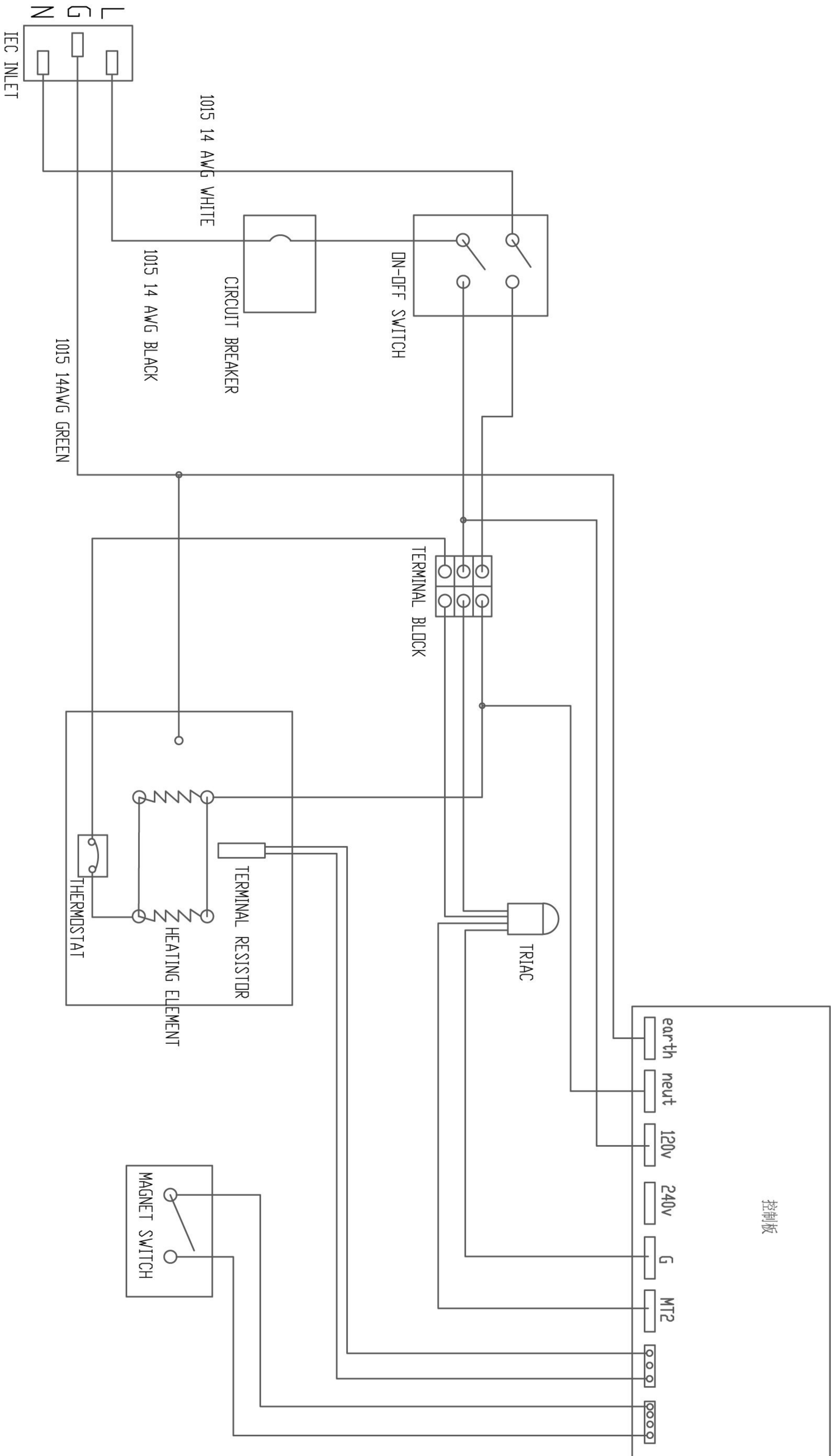
Circuit Breaker

If the circuit breaker should become dislodaged ,it can easily be reinstated after the heat press machine had cooled down.It is recommended to try and eliminate the source of any failure by using the error checklist

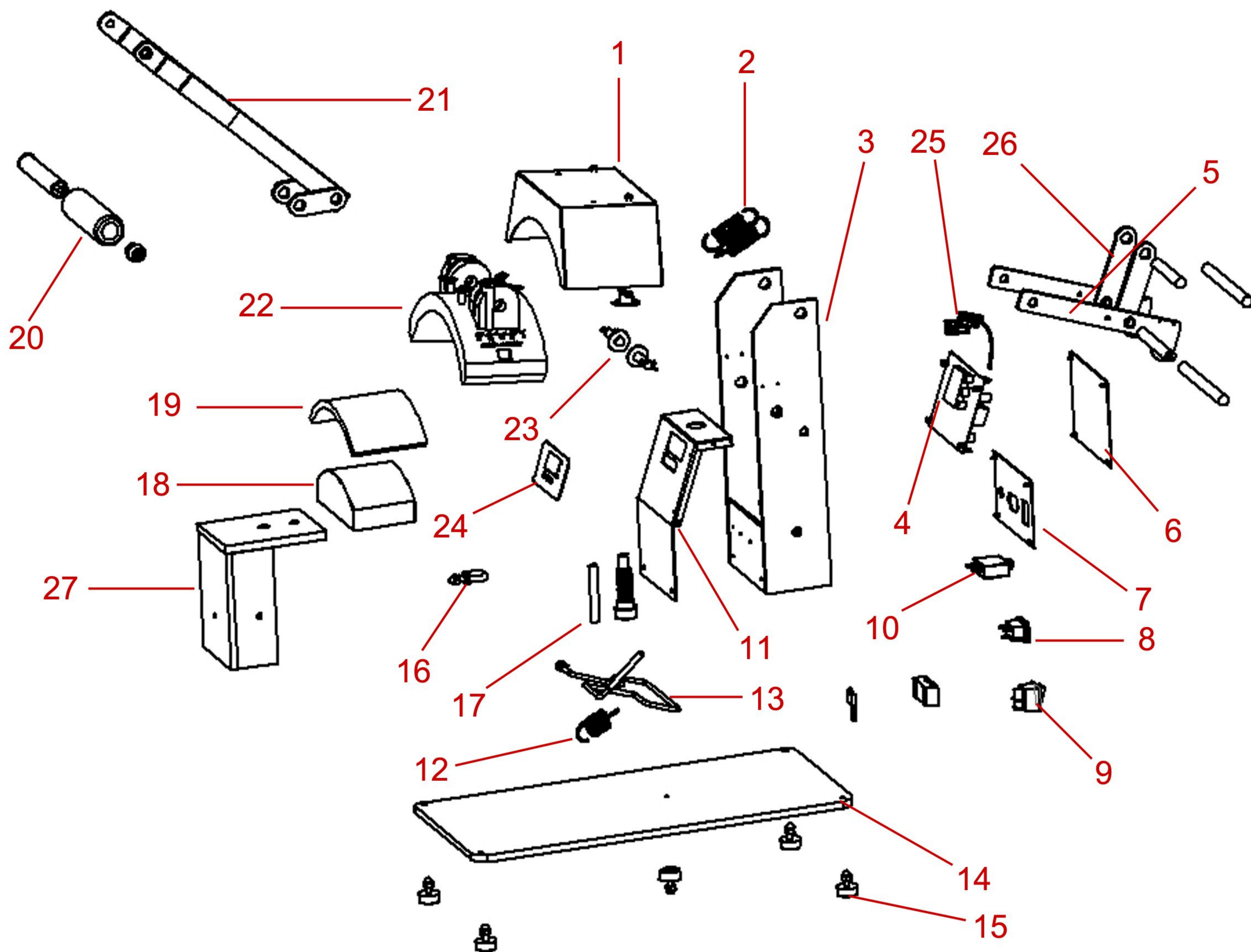
Set Up

It is important that the heat press machine is fixed securely to your workshop. To set up the press, it is necessary to fully open the press, and place the substrate that is to be printed flat on the lower platen. If the press is not fully open , there is a risk of being burnt. Always follow the supplied instructions for printing for all the blanks you may print.

Circuit Diagram



Explosion View



Serial No.	Part Name	Qty
1	Heat Platen Cover	1
2	Spring	2
3	Mainstand	1
4	Control Board	1
5	Handle Bar Grip	2
6	Back Sheet Up	1
7	Back Sheet Bottom	1
8	Switch	1
9	Plug Base	1
10	Fuse	1
11	Control Board Cover	1
12	Hook Spring	1
13	Clamp	1

14	Machine Base	1
15	Rubber Foot	4
16	Hook	1
17	Adjust Knob	1
18	Lower Platen	1
19	Silicon Pad	1
20	Handle Bar	1
21	Arm	1
22	Heater	1
23	Screw	2
24	Sticker	1
25	Magnet Switch	1
26	Connector	2
27	Lower Platen Base	1

DINO  [®]